

Installation Guides

Direct Wire Kits

Tablets



Powered
Vehicle
Docks

Direct Wire Kits



1 Confirm model number of MobileDemand Tablet

- Check the label on the tablet box or MobileDemand tablet and documentation
- Refer to chart on following page to confirm the correct direct wire kit
- Determine if you will be powering a vehicle dock or plugging directly into tablet

2 Vehicle Input Voltage

Determine the correct voltage of the equipment you are wiring to:
(Forklifts, Tuggers, Pallet Jacks, HiLo's, vehicles etc)

- **11-27 volt range** – Typically utilized by LP/Gas Forklifts and vehicles
- **20-60 volt range** – Typically utilized by Electric Forklifts
- **Auto-Adapter** – Utilizes vehicles 12V DC auxiliary power outlet (cigarette lighter socket)

3 Connect Input Power

- See diagrams in this guide for all necessary parts within each kit
- Red wire or white to vehicle 12V accessory or battery (+)
- Black wire to chassis ground or battery (-)
- A ring terminal end kit with various sizes included to fit your application

4 Test

- Make sure all connections are solid
- Please use proper strain relief with all direct wire installs (Zip ties)
- Confirm it is charging the powered dock or tablet

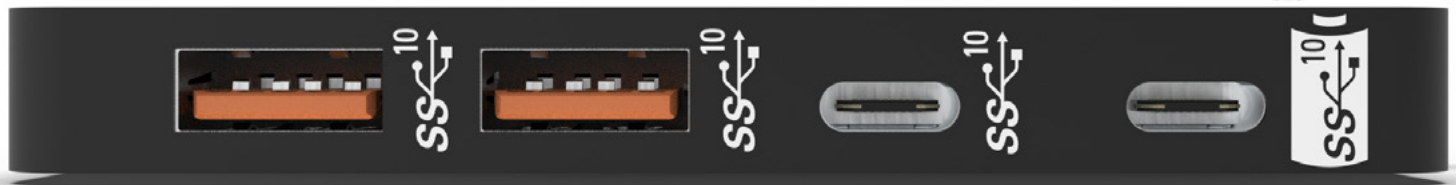
If you need to talk to our
Technical Support Team,
call or email us at
855-501-TECH (8324)
support@mobiledemand.com.



USB Expansion Kit

Four Port USB Hub

The four port USB Expansion Hub enables users to increase productivity by allowing the connection of additional peripherals. Easily attach USB-A corded scanners, probes, scales and more. The Hub is equipped with a USB-C power delivery port, compatible with MobileDemand Direct Wire Kits with USB-C power supply.



USB-A
Gen 2 (10Gbps)

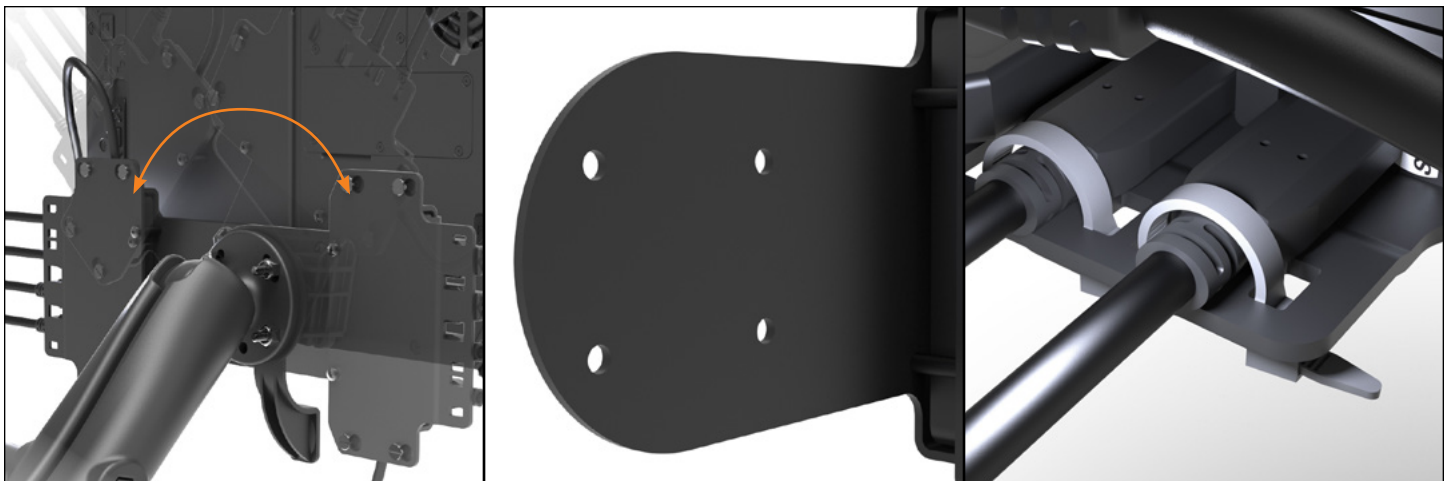
USB-C
Gen 2 (10Gbps)

USB-C
Gen 2 (10Gbps)
Power Delivery
100 Watts

Hub can rotate to accommodate a variety of tablet configurations.

Universal AMPS pattern allows various mounting applications.

Cables can be zip tied for a tight, secure fit in mobile environments.





WAREHOUSING POWERED DOCK

The forklift is the work horse of any warehouse, distribution center, or packaging company. High low, pallet jack and forklift vehicles are focused on efficiently moving inventory and push the daily limits of any device. We have designed and tested our rugged mounts to provide a precision fit while offering a rich assortment of I/O ports to support scanners and other peripherals. All docks and holders may accommodate direct power solutions from the vehicle to the tablet based on specific voltage of the vehicle.



EMERGENCY VEHICLE DASH MOUNT

Tablet mounting with mobility in mind is essential for first responders. Whether attached to the center console or dash of an ambulance, fire engine or police cruiser, interfacing with GPS maps and Cellular data to guide the team to their destination is mission critical. The snap mount provides the ability to easily remove the tablet while preserving connection to doctors or headquarters while on site. Additional mounts can be attached to walls so EMTs and other personnel can maintain vital communication during transport.



FIXED MOUNT WALLS, COUNTERS AND MORE

Fixed mounts using a VESA plate or a mobile, no drill magnetic mount allows tablets to be positioned virtually anywhere. Manufacturing utilizes magnetic mounts by affixing directly to machines to manage cycle counts and controls. Healthcare may employ a snap mount on the exam room wall or admissions area to digitize the check-in process. Restaurant or retail settings may utilize a counter top with a tablet equipped with MSR, the quick release snap mount instantly converts the tablet into a convenient mobile Point of Sale system.



NO DRILL VEHICLE MOUNT OPTIONAL KEYBOARD SUPPORT

Computers mounted in police cars, trucks, and utility vehicles traditionally required large, heavy mounts that took up much of the passenger seat area. They require intricate and sometimes invasive installation and are very expensive. A no drill floor mount, used in conjunction with MobileDemand's patented quick release snap mount system make those bulky installs a thing of the past, freeing up space and saving time. Add an optional keyboard support for processes such as email and remote communication.

Mounting Made Easy Quick Release Snap Mount System

THE SIMPLE GENIUS OF OUR PATENTED QUICK RELEASE SNAP MOUNT SYSTEM

Providing mobile industries with rugged, reliable technology is what inspired the genesis of MobileDemand. But that was only part of the equation. Realizing a growing number of industries needed the ability to safely and securely mount their devices soon became a driving force to what now sets us apart from others in the industry.

We immediately went to work and patented our extremely versatile Quick Release Snap Mount System, we've been expanding our expertise ever since.

When it comes to mounting, we *are* the experts.

A - Snap Plate

Every MobileDemand xTablet is securely affixed with our universal snap plate, allowing users to custom configure a mounting solution best designed to fit their exact needs.

B - Snap Rail

Engineered to slide and snap securely onto the snap plate receiver. Four hole pattern accommodates universal RAM mount products, allowing a vast array of mounting possibilities.

C - Snap Release

Quickly transition tablet from mounted to mobile applications and vice versa with a simple press of the snap release. Anti-theft lock and key design also available for those needing a safe and secure solution.

D - RAM Compatible

Designed to work with the extremely versatile RAM components provides virtually limitless rugged mounting solutions in any environment.



Direct Wire Kit Table

Click part number for list of components and instructions for each Direct Wire Kit.

STEP 1

Choose device to be powered.

STEP 2

Select if power source is auxiliary power outlet.

STEP 3

Select if tablet or powered dock will be wired directly to a power source. Determine input voltage and select corresponding direct wire kit.

TABLET	AUTO ADAPTERS	DIRECT WIRE KITS	
		Vehicles and LP Forklifts	Electric Forklifts
		11-27 volts	20-60 volts
T8655	<u>500-119</u> (for powered dock)	<u>DW-19T-11-27V-GKIT</u> (for powered dock)	<u>DW-19T-20-60V-LKIT</u> (for powered dock)
	<u>AUTO-ADPTR</u> (for tablet)	<u>DWC-20T-11-27V-GKIT</u> (for tablet)	<u>DWC-20T-20-60V-LKIT</u> (for tablet)
T1195	<u>500-119</u> (for powered dock & tablet)	<u>DW-19T-11-27V-GKIT</u> (for powered dock & tablet)	<u>DW-19T-20-60V-LKIT</u> (for powered dock)
			<u>DWRA-19T-20-60V-LKIT</u> (for tablet)
T1690	<u>500-119</u> (for powered dock & tablet)	<u>DWRA-19T-11-27V-GKIT</u> (for powered dock & tablet)	<u>DWRA-19T-20-60V-LKIT</u> (for powered dock & tablet)
T1175	<u>500-119</u> (for powered dock & tablet)	<u>DW-19T-11-27V-GKIT</u> (for powered dock)	<u>DW-19T-20-60V-LKIT</u> (for powered dock)
		<u>DWC-20T-11-27V-GKIT</u> (for tablet)	<u>DWC-20T-20-60V-LKIT</u> (for tablet)
FLEX 12C	<u>AUTO-ADPTR</u> (for tablet)	<u>DWC-20T-11-27V-GKIT</u> (for tablet)	<u>DWC-20T-20-60V-LKIT</u> (for tablet)
Flex 10C	<u>AUTO-ADPTR</u> (for tablet)	<u>DWC-20T-11-27V-GKIT</u> (for tablet)	<u>DWC-20T-20-60V-LKIT</u> (for tablet)
Lenovo K11 GEN 1 - GEN 2	<u>AUTO-ADPTR</u> (for tablet)	<u>DWC-20T-11-27V-GKIT</u> (for tablet)	<u>DWC-20T-20-60V-LKIT</u> (for tablet)
Surface	<u>SURF-AA</u> (for tablet)	<u>DWC-20T-11-27V-GKIT</u> (for tablet-USBC)	<u>DWC-20T-20-60V-LKIT</u> (for tablet)

500-119 - Auto Adapter

Compatibility		Our kits are designed to supply the correct amount of continuous power directly to MobileDemand's tablets or powered docks.
Powered Dock & Tablet	For Powered Dock only	
T1690	T8655	
T1195	T1175	

Follow the illustration below for proper connections.



Direct Wire Kit

This kit is designed to supply 12v of power from the vehicles auxiliary power outlet to the Tablet.

Visit us online for all your tablet mounting needs.

MobileDemand.com

Direct Wiring Kit Components

Kits are supplied with all the components needed to power your tablet for your specific needs - If you are missing any components listed here please contact MobileDemand.

A Auto Adapter Power Kit

AUTO-ADPTR - Auto Adapter

Compatibility				
Tablets only				
T8655	T1175	Flex 12C	Flex 10C	Lenovo

Our kits are designed to supply the correct amount of continuous power directly to MobileDemand's tablets or powered docks.

Follow the illustration below for proper connections.



Direct Wire Kit

This kit is designed to supply 12v of power from the vehicles auxiliary power outlet to the Tablet.

Visit us online for all your tablet mounting needs.

MobileDemand.com

Direct Wiring Kit Components

Kits are supplied with all the components needed to power your tablet for your specific needs - If you are missing any components listed here please contact MobileDemand.

A	Auto Adapter Power Kit
----------	------------------------

SURF-AA - Auto Adapter

Compatible Tablets	Volts	Designed for	SKU
Surface Tablet	12v	Tablet	SURF-AA

Our kits are designed to supply the correct amount of continuous power directly to MobileDemand's tablets or powered docks.

Follow the illustration below for proper connections.



Direct Wire Kit

This kit is designed to supply 12v of power from the vehicles auxiliary power outlet to the Tablet.

Visit us online for all your tablet mounting needs.

MobileDemand.com

Direct Wiring Kit Components

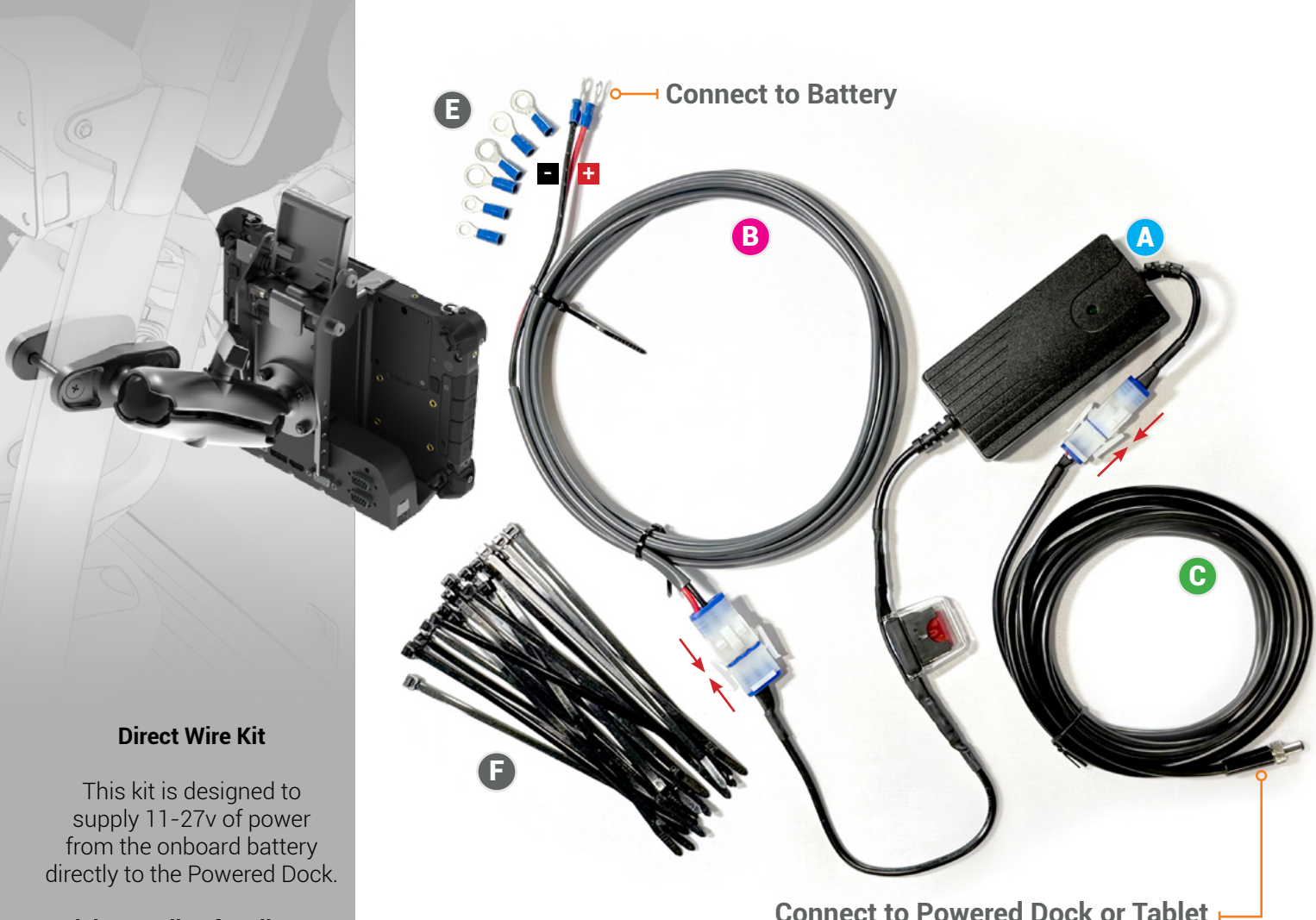
Kits are supplied with all the components needed to power your tablet for your specific needs - If you are missing any components listed here please contact MobileDemand.

A Auto Adapter Power Kit

DW-19T-11-27V-GKIT

Compatibility		Our kits are designed to supply the correct amount of continuous power directly to MobileDemand's tablets or powered docks.
Powered Dock & Tablet	For Powered Dock only	
T1690	T8655	
T1195	T1175	

Follow the illustration below for proper connections.



Direct Wire Kit

This kit is designed to supply 11-27v of power from the onboard battery directly to the Powered Dock.

Visit us online for all your tablet mounting needs.

MobileDemand.com

Connect to Powered Dock or Tablet

Direct Wiring Kit Components

Kits are supplied with all the components needed to power your tablet for your specific needs - If you are missing any components listed here please contact MobileDemand.

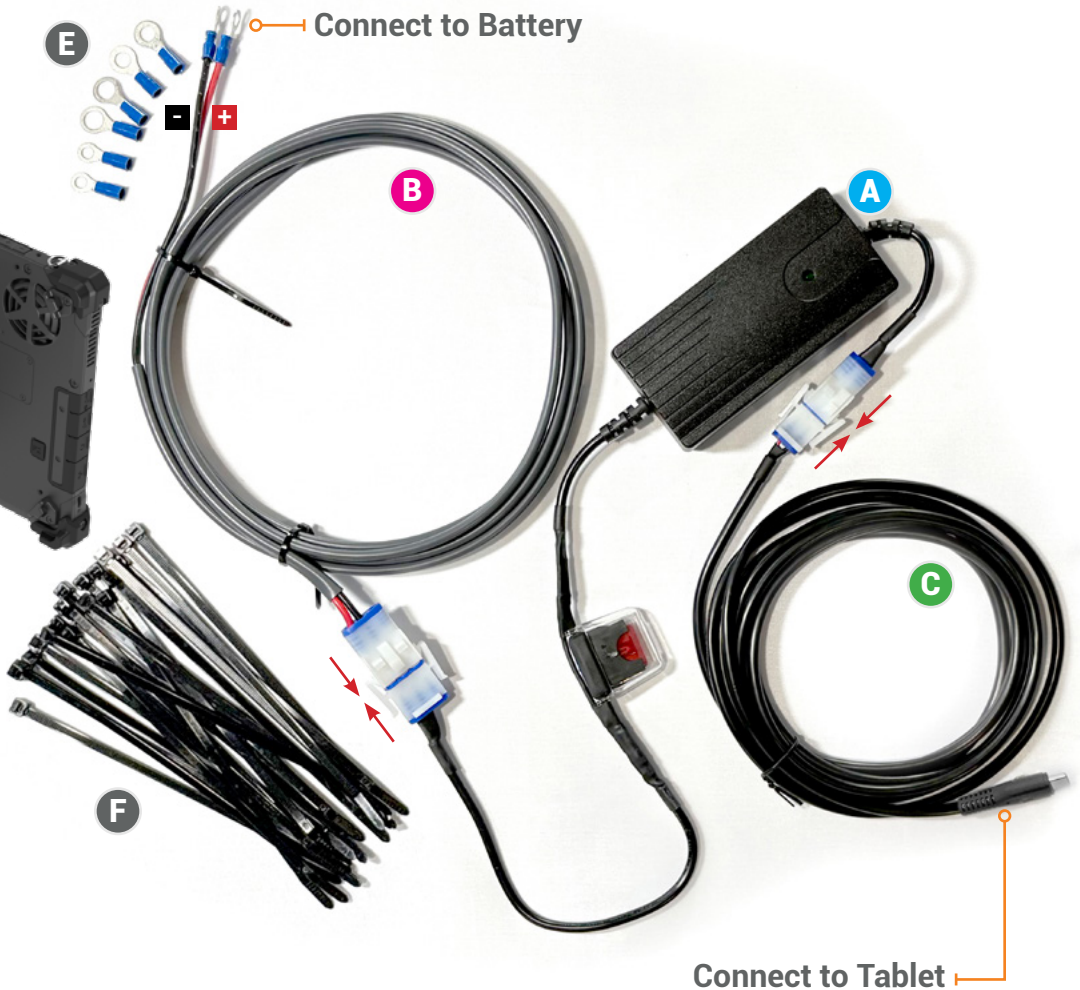
A	11-27v power converter with 10AMP fuse
B	Battery wiring
C	Powered vehicle dock wiring - barrel jack
E	Extra terminals - various sizes
F	Zip ties

DWC-20T-11-27V-GKIT

Compatible Tablets					
T8655	T1175	Flex 12C	Flex 10C	Lenovo K11	Surface

Our kits are designed to supply the correct amount of continuous power directly to MobileDemand's tablets or powered docks.

Follow the illustration below for proper connections.



Direct Wire Kit

This kit is designed to supply 11-27v of power from the onboard battery directly to the tablet.

Visit us online for all your tablet mounting needs.

MobileDemand.com

Direct Wiring Kit Components

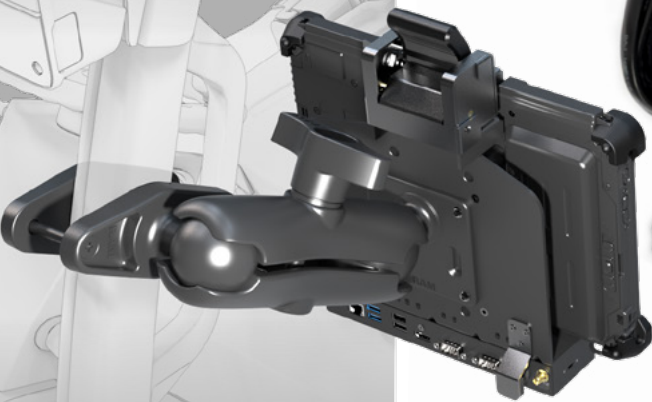
Kits are supplied with all the components needed to power your tablet for your specific needs - If you are missing any components listed here please contact MobileDemand.

A	11-27v power converter with 10AMP fuse
B	Battery wiring
C	Tablet wiring - USB-C
E	Extra terminals - various sizes
F	Zip ties
G	Cable retainer Retainer designed to strengthen stress point by holding cable firmly in place where attached to tablet.

DWRA-19T-11-27V-GKIT

Compatibility	Our kits are designed to supply the correct amount of continuous power directly to MobileDemand's tablets or powered docks.
Powered Dock & Tablet	
T1690	

Follow the illustration below for proper connections.



Direct Wire Kit

This kit is designed to supply 11-27v of power from the onboard battery directly to the Tablet or Powered Dock.

Visit us online for all your tablet mounting needs.

MobileDemand.com

Connect to Battery



Connect to Powered Dock or Tablet

Direct Wiring Kit Components

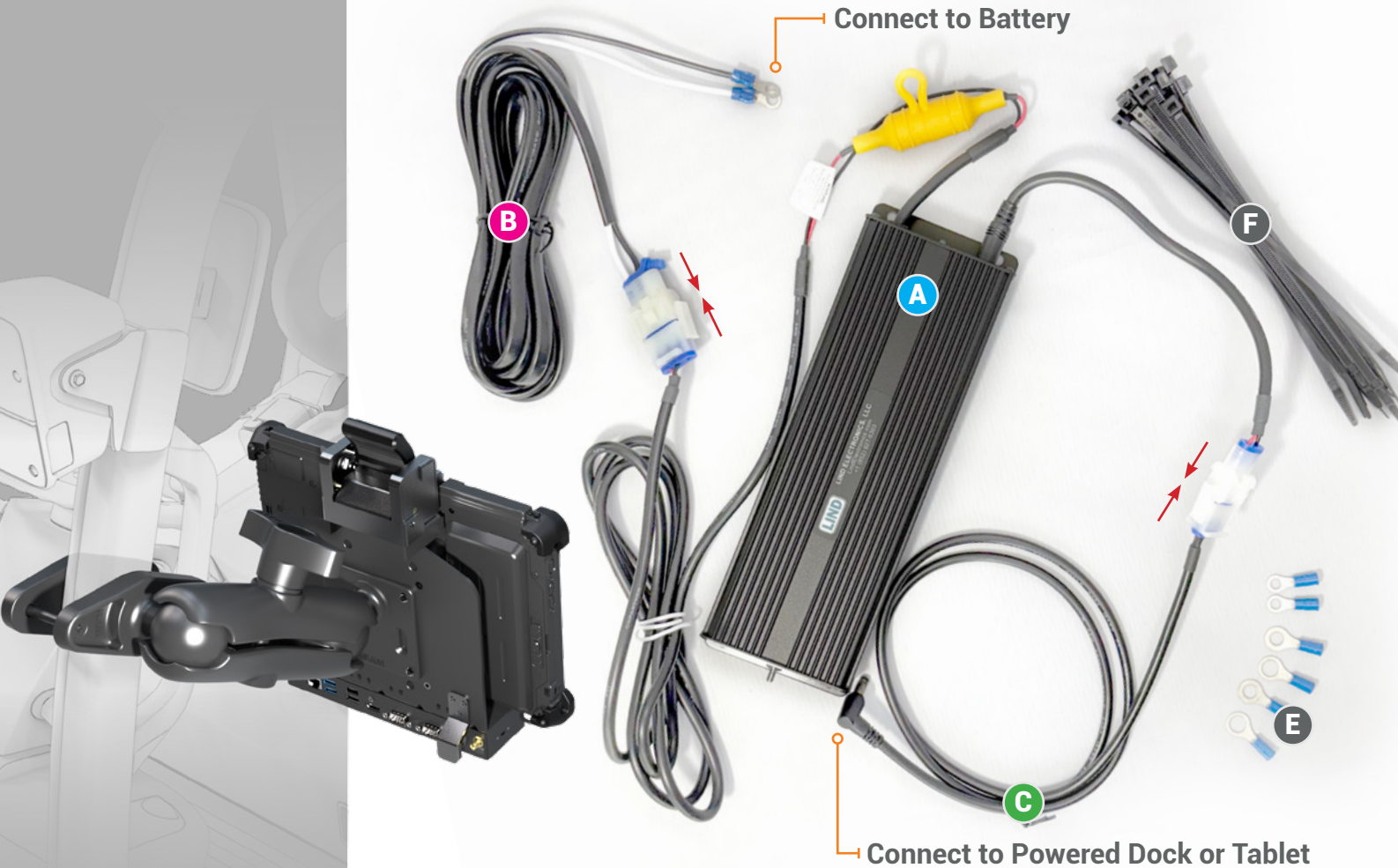
Kits are supplied with all the components needed to power your tablet for your specific needs - If you are missing any components listed here please contact MobileDemand.

A	11-27v power converter with 10AMP fuse
B	Battery wiring
C	Powered vehicle dock wiring - barrel jack
E	Extra terminals - various sizes
F	Zip ties

DWRA-19T-20-60V-LKIT

Compatibility		Our kits are designed to supply the correct amount of continuous power directly to MobileDemand's tablets or powered docks.
Powered Dock & Tablet	For Tablet only	
T1690	T1195	

Follow the illustration below for proper connections.



Direct Wire Kit

This kit is designed to supply 20-60v of power from the onboard battery directly to the Tablet or Powered Dock.

Visit us online for all your tablet mounting needs.

MobileDemand.com

Direct Wiring Kit Components

Kits are supplied with all the components needed to power your tablet for your specific needs - If you are missing any components listed here please contact MobileDemand.

A	20-60v power converter with 10AMP fuse
B	Battery wiring
C	Powered vehicle dock wiring - barrel jack
E	Extra terminals - various sizes
F	Zip ties

DW-19T-20-60V-LKIT

Compatibility		
Powered Docks only		
T8655	T1195	T1175

Our kits are designed to supply the correct amount of continuous power directly to MobileDemand's tablets or powered docks.

Follow the illustration below for proper connections.



Direct Wire Kit

This kit is designed to supply 20-60v of power from the onboard battery directly to the Tablet or Powered Dock.

Visit us online for all your tablet mounting needs.

MobileDemand.com

Direct Wiring Kit Components

Kits are supplied with all the components needed to power your tablet for your specific needs - If you are missing any components listed here please contact MobileDemand.

A	20-60v power converter with 10AMP fuse
B	Battery wiring
C	Powered vehicle dock wiring - barrel jack
E	Extra terminals - various sizes
F	Zip ties

DWC-20T-20-60V-LKIT

Compatible Tablets					
T8655	T1175	Flex 12C	Flex 10C	Lenovo K11	Surface

Our kits are designed to supply the correct amount of continuous power directly to MobileDemand's tablets or powered docks.

Follow the illustration below for proper connections.



Direct Wire Kit

This kit is designed to supply 20-60v of power from the onboard battery directly to the Tablet.

Visit us online for all your tablet mounting needs.

MobileDemand.com

Direct Wiring Kit Components

Kits are supplied with all the components needed to power your tablet for your specific needs - If you are missing any components listed here please contact MobileDemand.

A	20-60v power converter with 10AMP fuse
B	Battery wiring
C	Tablet wiring - USB-C
E	Extra terminals - various sizes
F	Zip ties
G	Cable retainer (sold separately) Retainer designed to strengthen stress point by holding cable firmly in place where attached to tablet.